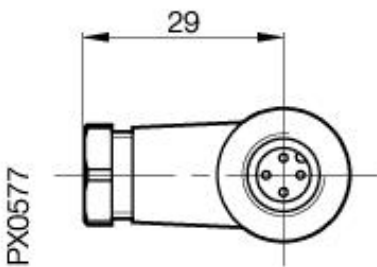
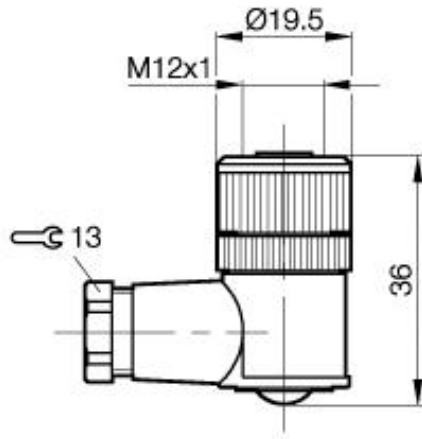


Accessories: Connectors BKS-S 8-4

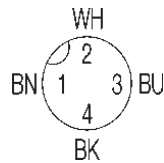


Common Data

Version	Connector, right angle, 3-pin
Usable with	on Sensors with connection S4 (DC, PNP, M12)
Manufacturer	Binder
Ambient temperature	-40°C...+85°C
Function display	yes
Supply voltage display	yes

Mechanical Data

Measurements WxHxD or Dia x D	36x38,5x19,5
Material	Housing PBTP GV sw
Protection class per IEC 60529	IP67
Cable version	for user assembly
Conductor cross section	max. 0,75mm ²



Datasheet number::

Definitions see general catalog.
If not otherwise noted, ratings according to IEC 60947-5-2 (DIN EN60947-5-2)

Balluff GmbH
Schurwaldstrasse 9
73765 Neuhausen a.d.F.
Phone (07158) 173-0 Fax (07158) 5010

Datenblatt by CD-ROM - 04/2007

BALLUFF
sensors worldwide